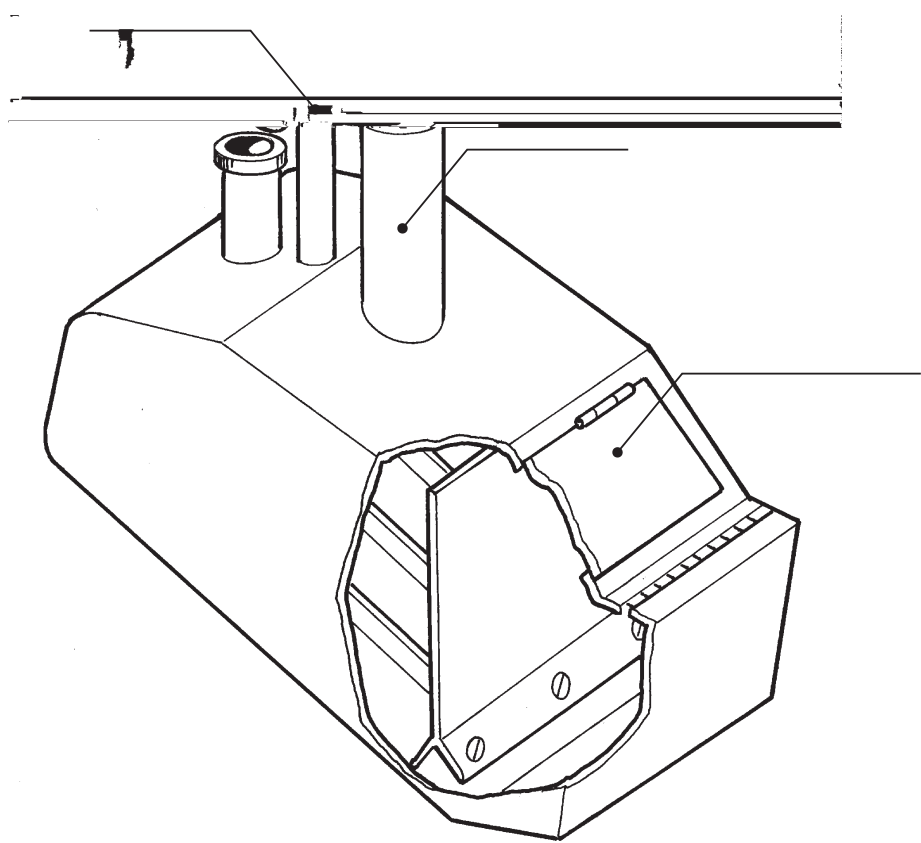
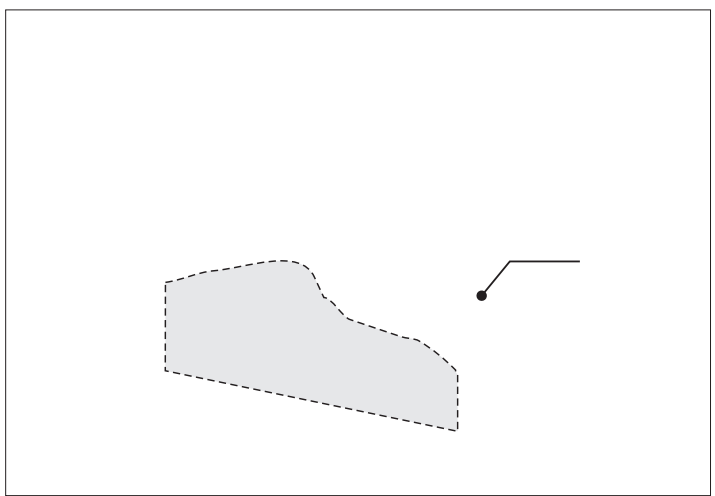


C... **1**... **e**...
 C... **1**... **e**...
 ... **1**... **e**...
 () ... **1**... **e**...
 ... **1**... **e**...
 ... **1**... **e**...
 ... **1**... **e**...
 ... **1**... **e**...
 ... **1**... **e**...
 ... **1**... **e**...



F... **1**... **e**... **1**... **e**...
 (Latrine superstructure not shown)



Bibliography

References

Bibliography

Fletcher, R., Pindyck, J., Ruffalo, R., *AGI: A Guide to the 70-45 Study*, WHO, Geneva, 1992.
Pindyck, J., Lichtenstein, S., *A Guide to the 70-45 Study*, ITP, University of California, 1995.

P B R R S